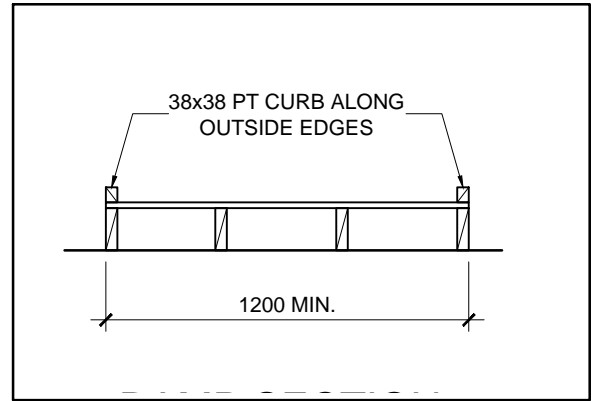
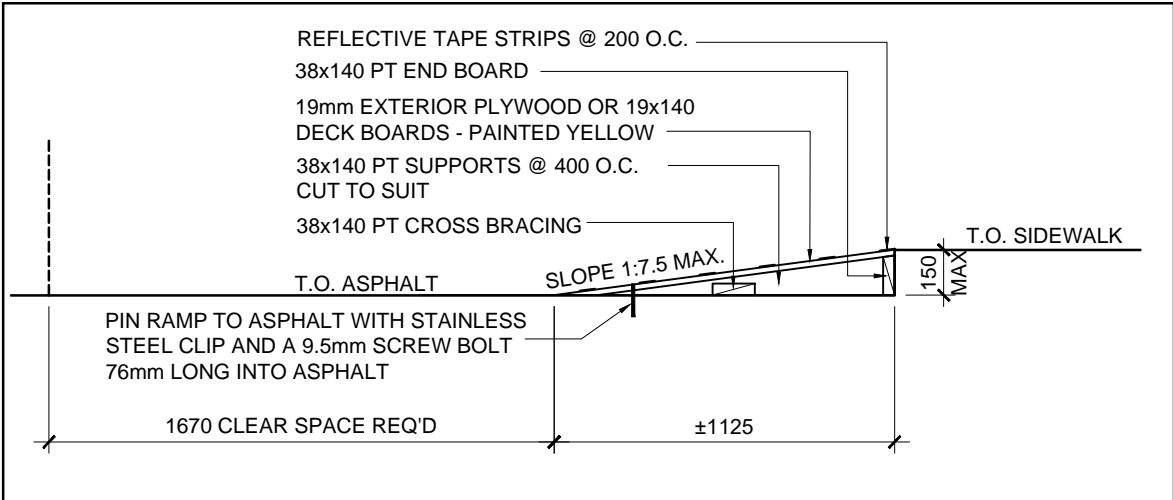


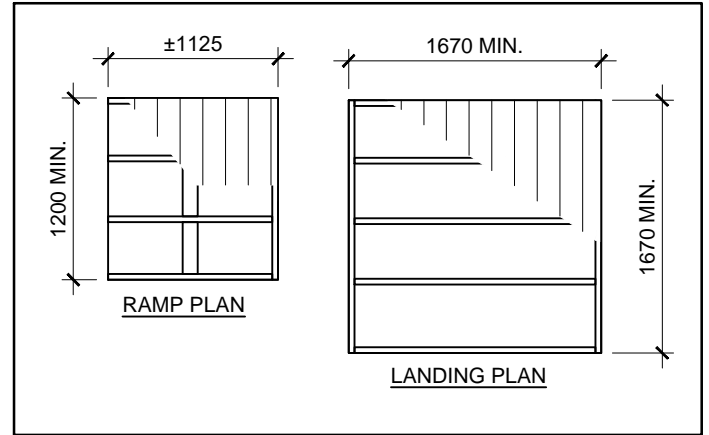
RAMP OPTION 2 CROSS SECTION (With Landing)



RAMP SECTION



RAMP OPTION 1 CROSS SECTION (Where sufficient space allows)



RAMP AND LANDING BASE PLAN

| | | |
|--|--|--------|
| | POP UP PATIO (NO STRUCTURE) RAMP DETAIL | 4 of 6 |
| | | |
| | <p>547 Blind Creek Drive Shuniah, Ontario, P7A 0G6</p> | |