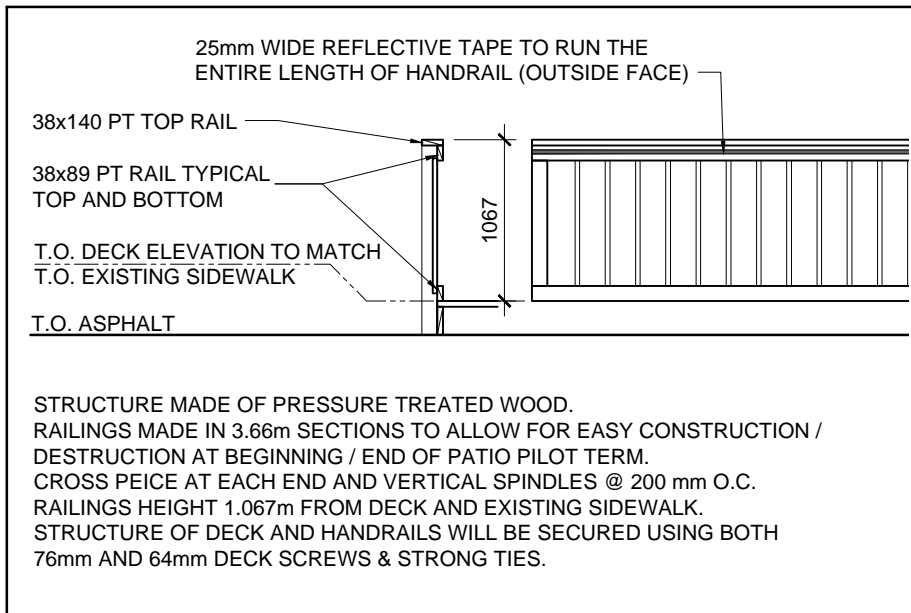
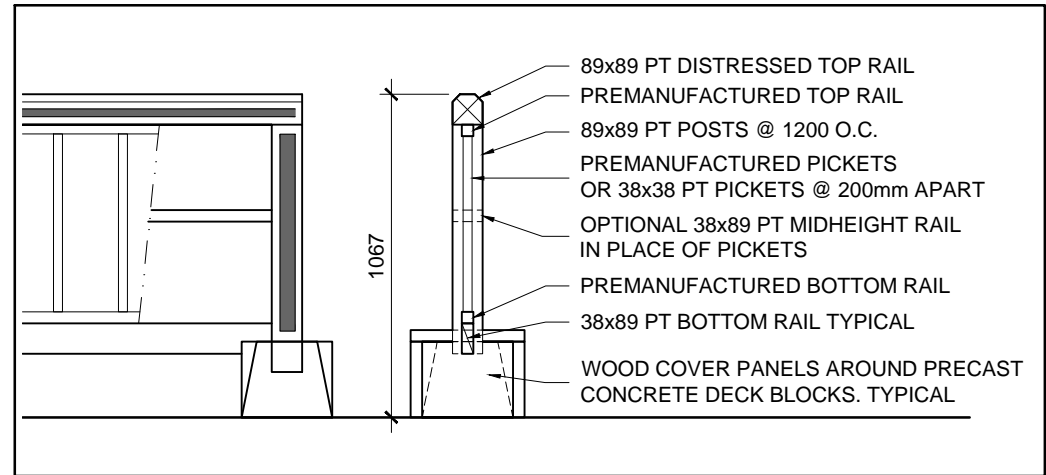


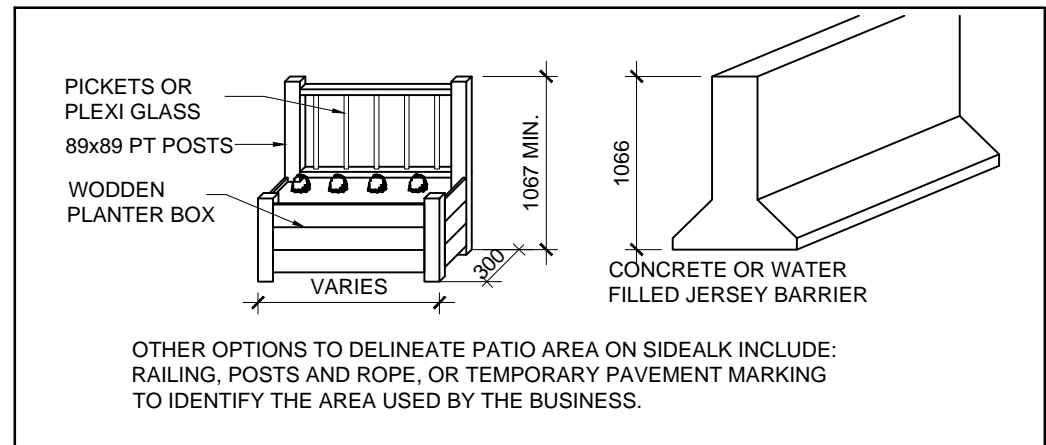
CROSS SECTION W/ DECK STRUCTURE



TYPICAL RAIL SECTION BOLTED TO DECK STRUCTURE



OPTIONAL RAILING ON SIDEWALK - SECTION



ALTERNATIVES TO RAILINGS ON SIDEWALK OR ASPHALT

	POP UP PATIO RAIL DETAIL / EXAMPLE	6 of 6