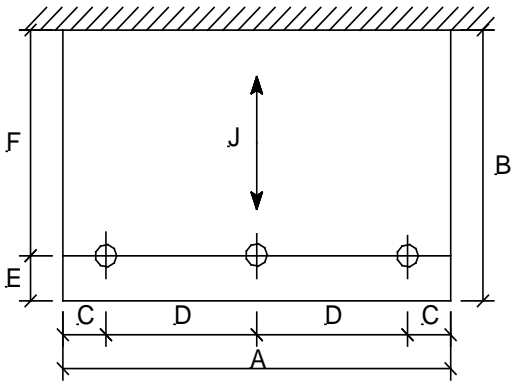


APPLICANT:		DECK AREA:	ZONE:
ADDRESS:		ZONING BY:	PLX BY:
DATE:	PERMIT No.	ISSUE DATE:	

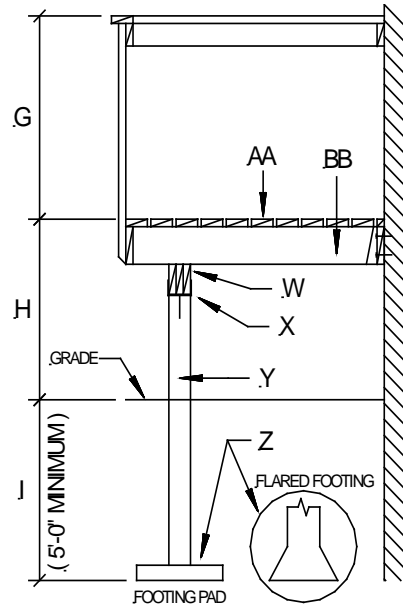
PLEASE NOTE: IF THE FOLLOWING DRAWINGS ARE NOT SIMILAR TO YOUR DECK DESIGN, SEPARATE DRAWINGS SHOWING DECK CONSTRUCTION WILL HAVE TO BE SUBMITTED TO THE BUILDING DEPARTMENT FOR APPROVAL

RESIDENTIAL DECKS

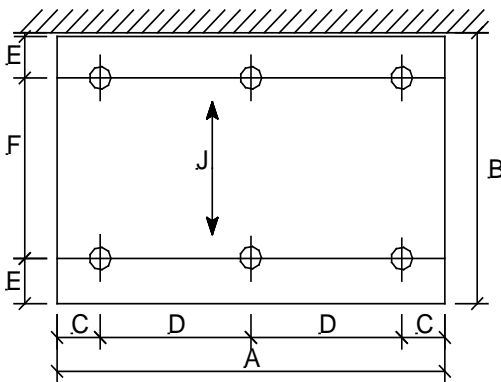


DRAWING A1

DECK ATTACHED TO HOUSE

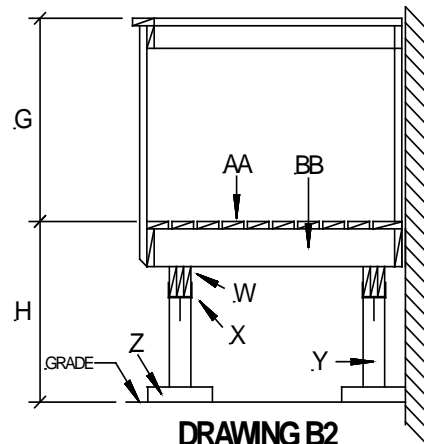


DRAWING A2

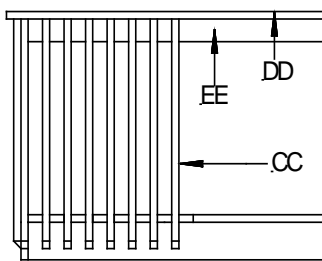


DRAWING B1

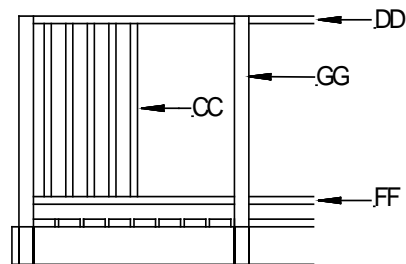
DECK NOT ATTACHED TO HOUSE



DRAWING B2



DRAWING C1 - CANTILEVERED PICKET



DRAWING C2 - POST AND RAIL

GUARD RAIL CONSTRUCTION - INDICATE TYPE

BUILDING INFORMATION (DIMENSIONS)

DRAWINGS A1,B1

- A. OVERALL WIDTH = _____
- B. OVERALL DEPTH = _____
- C. BEAM CANTILEVER = _____
- D. BEAM SPAN BETWEEN POSTS = _____
- E. JOIST CANTILEVER = _____
- F. JOIST SPAN BETWEEN BEAMS = _____

DRAWINGS A2,B2

- G. GUARDRAIL HEIGHT = _____
- H. DECK HEIGHT ABOVE GRADE = _____
- I. DEPTH BELOW GRADE = _____

CONSTRUCTION INFORMATION (MATERIAL)

DRAWINGS A2,B2

- W. BEAM: WOOD ____ - 2 x ____
- X. POST SADDLE OR _____
- Y. POST: ____" DIA. SONO TUBE OR ____" x ____" WOOD POST
- Z. FOOTING SIZE: CONCRETE PAD ____" W x ____" L x ____" D OR OTHER: DESCRIBE _____

- AA. DECKING: ____" x ____"
- BB. JOIST SIZE : 2" x ____ AT ____" ^o/_c (2" X 8" MINIMUM)

DRAWINGS C1,C2

- CC. PICKETS: ____" x ____" (4" MAXIMUM CLEAR OPENING)
- DD. TOP RAIL: ____" x ____"
- EE. SECONDARY RAIL: ____" x ____"

DRAWING C2

- FF. BOTTOM RAIL: ____" x ____"
- GG. POSTS: ____" x ____" AT ____" ^o/_c