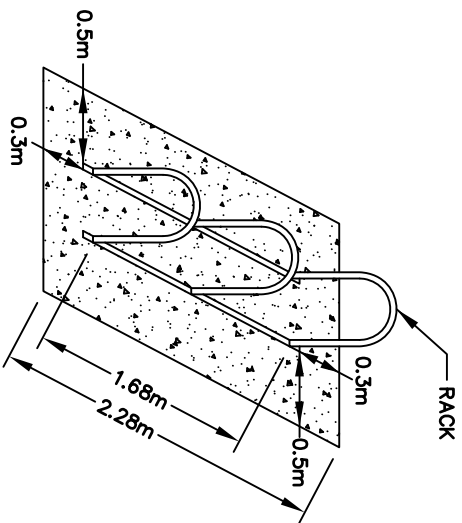
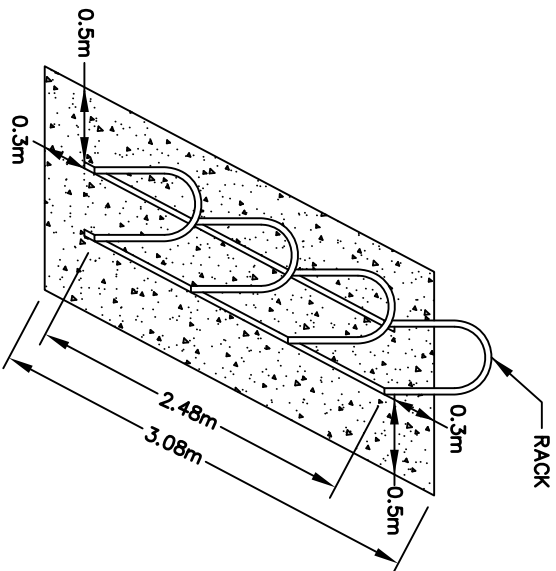


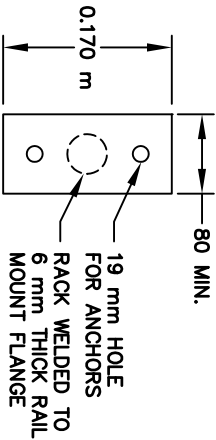
MAX. 4 BICYCLES



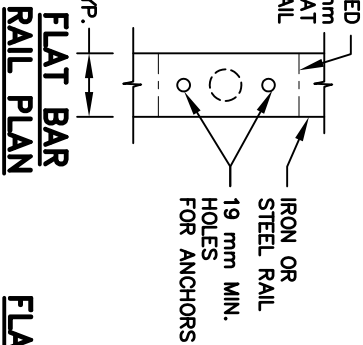
MAX. 6 BICYCLES



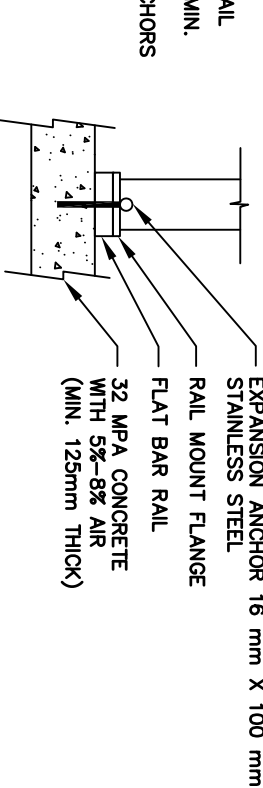
MAX. 8 BICYCLES



RAIL MOUNT FLANGE



FLAT BAR RAIL PLAN



FLAT BAR RAIL SECTION

RAIL MOUNT (MULTIPLE RACKS)

- NOTES:**
- 1) ANCHORS SHALL BE INSTALLED ACCORDING TO MANUFACTURER'S SPECIFICATIONS
 - 2) POSTS SHALL BE HOT DIP GALVANIZED ACCORDING TO CSA G164 AFTER FABRICATION
 - 3) POSTS SHALL BE VERTICAL. ALL EXPOSED CORNERS SHALL BE GROUND SMOOTH.
 - 4) WELDING SHALL BE ACCORDING TO CSA W59
 - 5) ALL JOINTS SHALL BE SHOP WELDED
 - 6) PIPE SHALL BE ACCORDING TO ASTM A 53
 - 7) LOCATE RACK A MINIMUM OF 0.9 m FROM OBSTACLES PARALLEL TO RACK
 - 8) LOCATE RACK A MINIMUM OF 2.5 m FROM MAJOR OBSTACLES (EG. WALLS) ON AT LEAST ONE SIDE TO ALLOW EASY ACCESS FOR CYCLIST
 - 9) LOCATE RACK A MINIMUM OF 1.2 m FROM OBSTACLES PERPENDICULAR TO RACK ON SIDES NOT ACCESSED BY CYCLIST
 - 10) ALTERNATE RAIL (C CHANNEL) METHOD MAY BE USED ONCE APPROVED BY CITY ENGINEER
 - 11) RACKS USED SHALL MEET THE ENGINEERING STANDARDS OF M-115-1.

ANCHORING SURFACE OPTIONS

- 12) EMBED IN CONCRETE
- 13) ANCHOR TO EXISTING CONCRETE
- 14) POUR CONCRETE PAD AND ANCHOR TO PAD
- 15) INSTALL PAVING STONE AROUND CONCRETE BASE BLOCK (IN-GROUND) OR OVER CONCRETE PAD (SURFACE MOUNT)

ALL DIMENSIONS ARE IN MILLIMETERS UNLESS OTHERWISE STATED



ENGINEERING STANDARDS

INVERTED BICYCLE RACK MULTIPLE RACK LAYOUT

TITLE	DWN.	S.G.	DATE	JAN. 2011
REVISION	REVISED:	JAN. 2018		
SCALE	N. T. S.			
DWG. NO. M-115-2				
MANAGER, ENGINEERING DIVISION				
Z:\ENR\Standard Drawings\Std Dwgs\M-115-2.dwg				